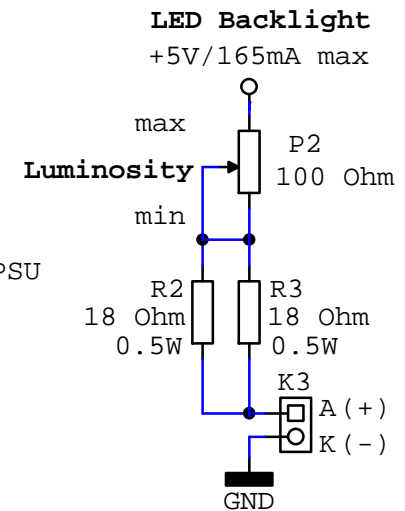
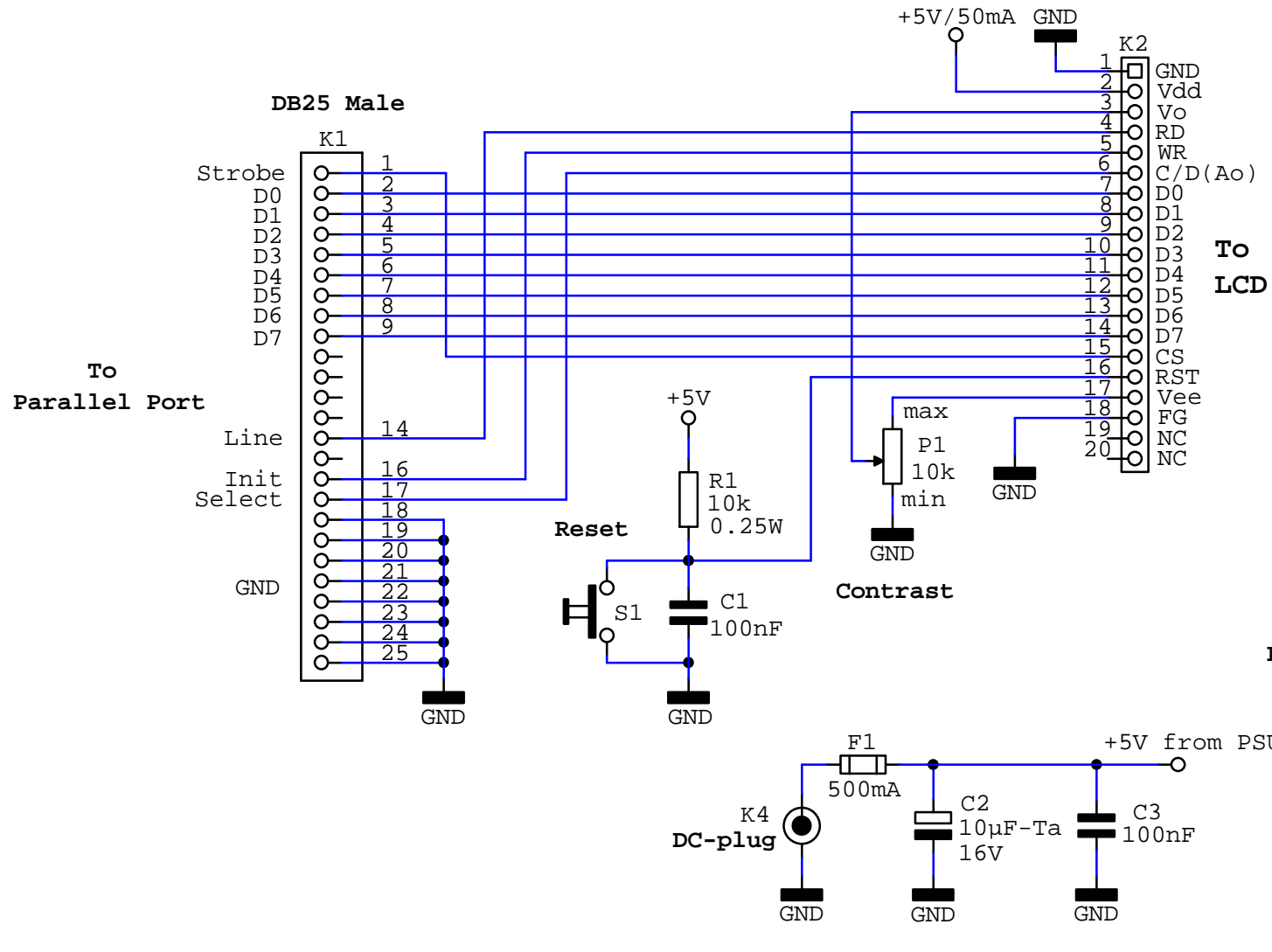


# Connection schematic for Powertip PG320240-D (SED1335 controller)



|                  |                         |
|------------------|-------------------------|
| Chris Deceuninck |                         |
| Rev              | ID                      |
| E                | Powertip PG320240-D LCD |
| Date: 06/09/2003 | Page: 1 of 1            |