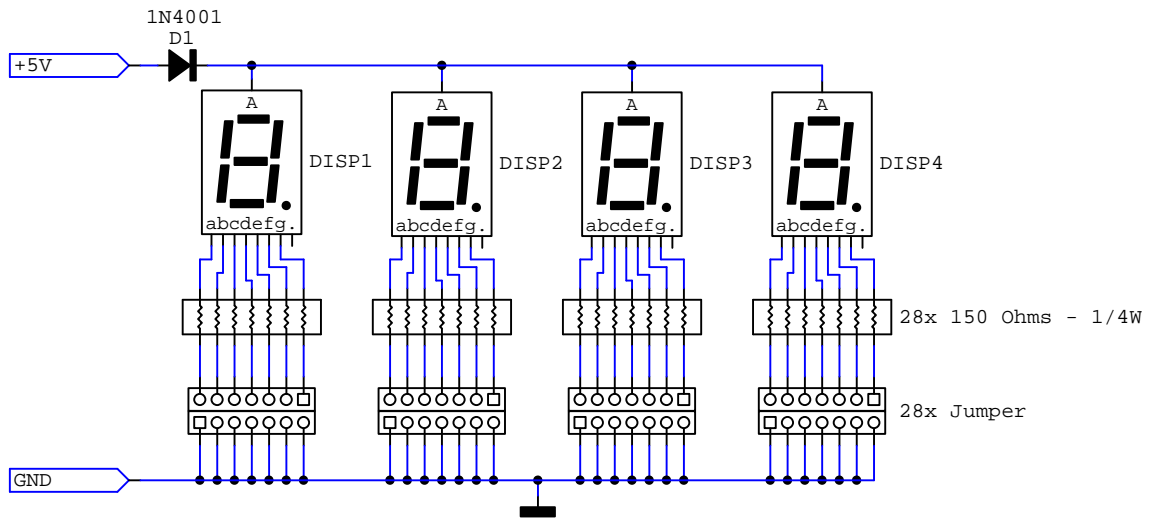


CPU Clock Indicator



Displays are 0.5" high 7-segments with Common Anode
Use displays with 10 pins, located on upper and lower side of the display