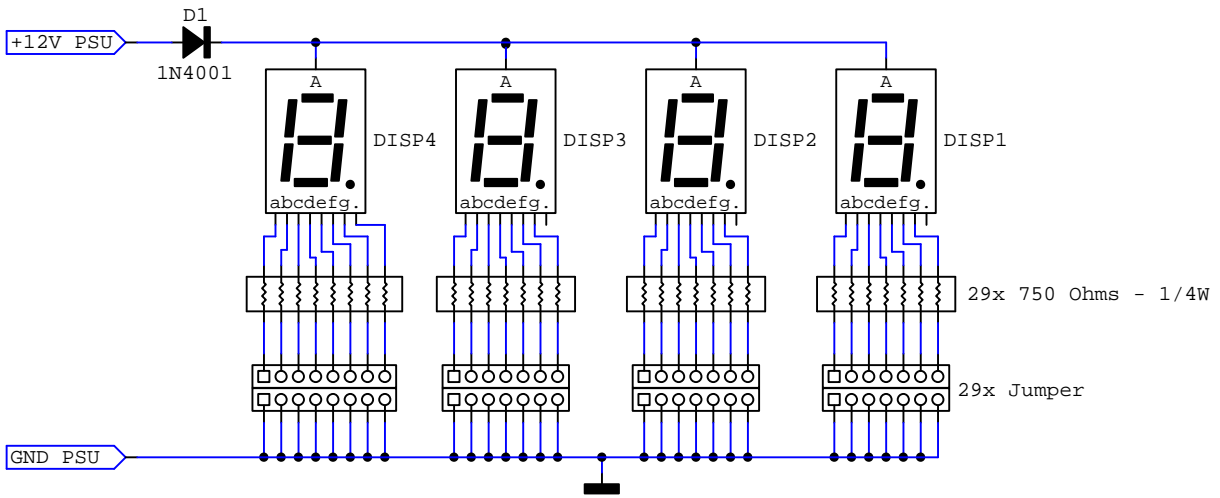


Blue CPU Clock Indicator



Displays are blue 0.56" 7-segments with Common Anode as manufactured by Liteon (LTS-5501AB)