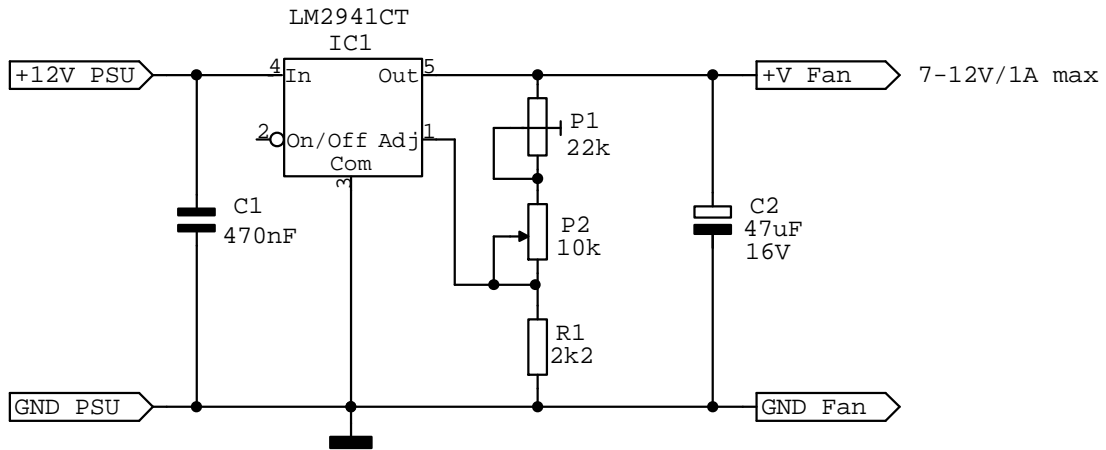


Manual Fan Controller with low drop voltage regulator



P1= Minimum fan speed
P2= Fan speed